

INSTALLER: THESE INSTRUCTIONS MUST BE CONVEYED TO AND REMAIN WITH THE HOMEOWNER.

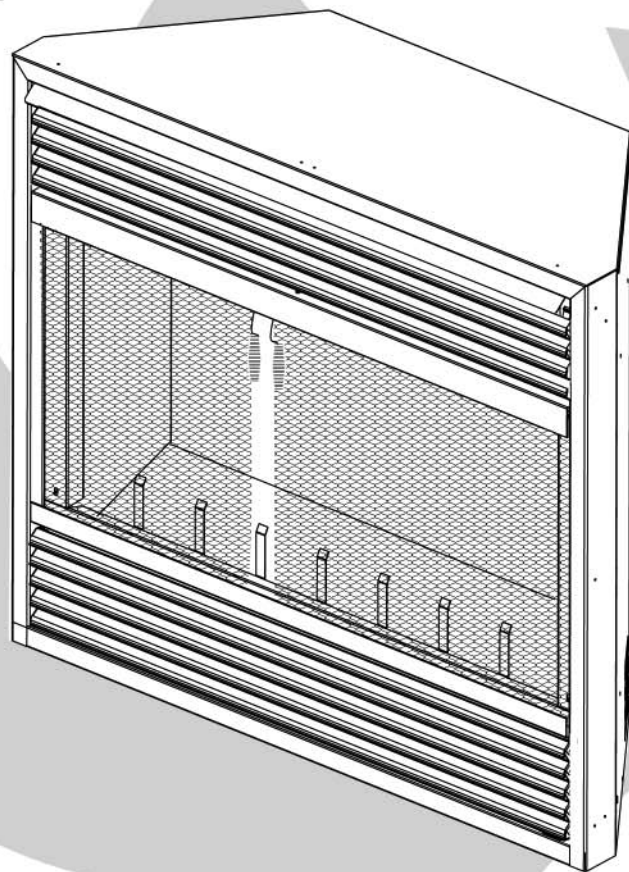


INSTALLATION AND OPERATION INSTRUCTIONS

CERTIFIED UNDER CANADIAN AND AMERICAN NATIONAL STANDARDS: CSA C2.22 No-46 / UL 1278 CSA STANDARD

If the information in these instructions is not followed exactly, an electrical shock or fire may result causing property damage, personal injury or loss of life.

EF36H ELECTRIC FIREPLACE



Wolf Steel Ltd., 24 Napoleon Rd., Barrie, ON L4M 4Y8 Canada • (705)721-1212 • fax(705)722-6031
www.napoleonfireplaces.com • ask@napoleon.on.ca

TABLE of CONTENTS

<p>PG 2-4 INTRODUCTION Warranty Important Instructions Locating Your Fireplace Dimensions</p> <p>5 OPERATION Remote Control Flame Effect Maintenance</p> <p>6-8 FINISHING Mantel Installation Clearance to Combustibles Framing and Finishing Hearth Cold Climate Installation Log Installation Louvres Screen Cover Removal</p>	<p>9</p> <p>10-11</p> <p>11</p> <p>12</p>	<p>ELECTRICAL CONNECTION</p> <p>REPLACEMENTS Ordering Replacement Parts Replacement Parts Accessories</p> <p>TROUBLE SHOOTING GUIDE</p> <p>SERVICE HISTORY</p>
--	---	---

PLEASE RETAIN THIS MANUAL FOR FUTURE REFERENCE

PLEASE RETAIN THIS MANUAL FOR FUTURE REFERENCE

WARNING

- Do not burn wood or other materials in this fireplace.
- Adults and especially children should be alerted to the hazards of high surface temperatures of the louvres and heater area and should stay away to avoid burns or clothing ignition. Supervise young children when they are in the same room as the fireplace.
- Due to high temperatures, the fireplace should be located out of traffic and away from combustible material; such as furniture and draperies.
- Clothing or other flammable material should not be placed on or near the fireplace.
- Any safety screen or guard removed for servicing must be replaced prior to operating the fireplace.
- It is imperative that the control compartments, circulating blower and its passageway in the fireplace are kept clean. More frequent cleaning may be required due to excessive lint from carpeting, bedding material, etc. The fireplace area must be kept clear and free from combustible materials, gasoline and other flammable vapours and liquids.
- Under no circumstances should this fireplace be modified.
- Do not use this fireplace if any part has been under water. Immediately call a qualified service technician to inspect the fireplace and to replace any part of the control system which has been under water.
- Do not operate the fireplace with the glass door removed, cracked or broken. Use only with a glass door certified with the fireplace.
- Do not strike the fireplace glass door.

NOTE: Changes, other than editorial, are denoted by a vertical line in the margin.

NAPOLEON electric fireplaces are manufactured under the strict Standard of the world recognized ISO 9001:2000 Quality Assurance Certificate.

NAPOLEON products are designed with superior components and materials, assembled by trained craftsmen who take great pride in their work. Once assembled the complete fireplace is thoroughly inspected by a qualified technician before packaging to ensure that you, the customer, receive the quality product that you expect from NAPOLEON.

NAPOLEON ELECTRIC FIREPLACE LIMITED WARRANTY

Electrical components and wearable parts such as fan/heater, motors, switches, nylon bearing components and remote controls are covered and Napoleon will provide replacement parts free of charge during the first year of the limited warranty.

Light bulbs are NOT covered by the warranty.

Any labour related to warranty repair is not covered.

CONDITIONS AND LIMITATIONS

NAPOLEON warrants its products against manufacturing defects to the original purchaser only -- i.e., the individual or legal entity (registered customer) whose name appears on the warranty registration card filed with NAPOLEON -- provided that the purchase was made through an authorized NAPOLEON dealer and is subject to the following conditions and limitations:

This factory warranty is nontransferable and may not be extended whatsoever by any of our representatives.

Installation must be done in accordance with the installation instructions included with the product and all local and national building and fire codes.

This limited warranty does not cover damages caused by misuse, lack of maintenance, accident, alterations, abuse or neglect and parts installed from other manufacturers will nullify this warranty.

This limited warranty further does not cover any scratches, dents, corrosion or discolouring caused by excessive heat, abrasive and chemical cleaners nor chipping on porcelain enamel parts, mechanical breakage of PHAZER™ logs and embers.

In the first year only, this warranty extends to the repair or replacement of warranted parts which are defective in material or workmanship provided that the product has been operated in accordance with the operation instructions and under normal conditions.

Napoleon will not be responsible for installation, labour or any other expenses related to the reinstallation of a warranted part and such expenses are not covered by this warranty.

Notwithstanding any provisions contained in this Limited Warranty, NAPOLEON'S responsibility under this warranty is defined as above and it shall not in any event extend to any incidental, consequential or indirect damages.

This warranty defines the obligations and liability of NAPOLEON with respect to the NAPOLEON electric fireplace and any other warranties expressed or implied with respect to this product, its components or accessories are excluded.

Napoleon neither assumes, nor authorizes any third party to assume, on its behalf, any other liabilities with respect to the sale of the product.

Any damages to fireplace, brass trim or other component due to water, weather damage, long periods of dampness, condensation, damaging chemicals or cleaners will not be the responsibility of NAPOLEON.

The bill of sale or copy will be required together with a serial number and a model number when making any warranty claims from your authorized dealer. The warranty registration card must be returned within fourteen days to register the warranty.

NAPOLEON reserves the right to have its representative inspect any product or part thereof prior to honouring any warranty claim.

ALL SPECIFICATIONS AND DESIGNS ARE SUBJECT TO CHANGE WITHOUT PRIOR NOTICE DUE TO ON-GOING PRODUCT IMPROVEMENTS. NAPOLEON® IS A REGISTERED TRADEMARK OF WOLF STEEL LTD. PATENTS U.S. 5.303.693.801 - CAN. 2.073.411, 2.082.915. © WOLF STEEL LTD.

IMPORTANT INSTRUCTIONS

1. READ ALL INSTRUCTIONS BEFORE USING THIS APPLIANCE. THIS APPLIANCE IS HOT WHEN USED.

2. To avoid burns, **DO NOT** let bare skin touch hot surfaces. The trim around the heat outlet becomes hot during fireplace operation. Keep combustible material; such as furniture, pillows, bedding, paper, clothes and draperies at least 3 feet from the front of the unit.

3. CAUTION: Extreme caution is necessary when any fireplace is used by or near children or invalids, also whenever the heater is left operating and unattended.

4. Do not operate if the power cord or fireplace is damaged, or if the unit is dropped or damaged in any manner.

5. Under no circumstances should this fireplace be modified. Use it only as described in the manual. Any repairs to the fireplace should be carried out by a qualified service person.

6. Do not use outdoors.

7. Do not insert or allow foreign objects to enter any ventilation or exhaust openings as this may cause an electrical short or fire. This could also damage the fireplace.

8. To prevent a possible fire, **DO NOT** block air intakes or exhaust in any manner. **DO NOT** use on soft surfaces where openings may become blocked.

9. This heater has hot and arcing or sparking parts inside. **DO NOT** use in areas where gasoline, paint or flammable liquids are used or stored. This fireplace **SHOULD NOT** be used as a drying rack.

10. This fireplace is **NOT** intended for wood or other flammable material to be burned inside of it.

11. Make sure the fireplace is unplugged before any cleaning or maintenance is performed on the heater.

12. Avoid the use of extension cords. The extension cord may overheat and cause a fire.

13. Do not strike the glass on the fireplace.

14. Always unplug heater when not in use.

15. This heater is not intended for use in bathrooms, laundry areas and similar indoor locations. Never locate heater where it may fall into a bathtub or other water container.

16. Do not run cord under carpeting. Do not cover cord with throw rugs, runners or similar coverings. Arrange cord away from traffic area and where it will not be tripped over.

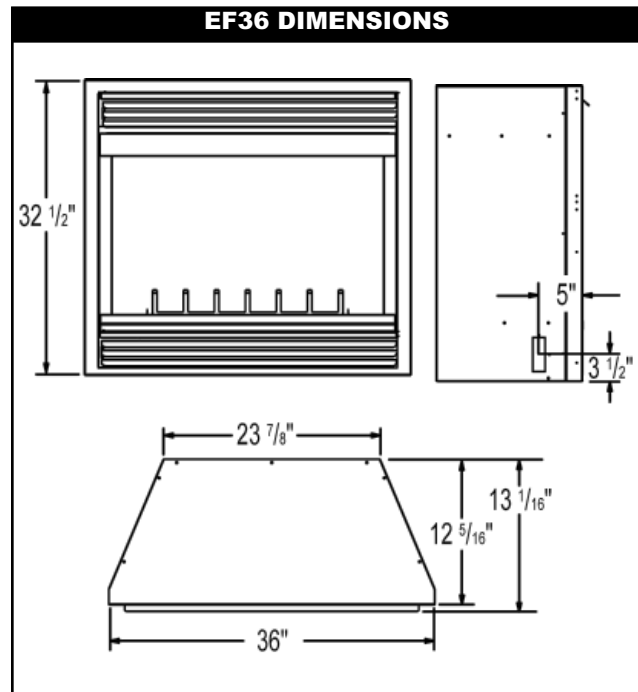
17. To disconnect heater, turn controls to off, then remove the plug from the outlet.

18. Use this heater only as described in this manual. Any other use not recommended by the manufacturer may cause fire, electric shock or injury to persons.

19. SAVE THESE INSTRUCTIONS.

LOCATING YOUR ELECTRIC FIRE-

Your new fireplace may be installed into an existing masonry or zero clearance fireplace. It may also be installed using a prefabricated cabinet available from your dealer or may be built into a wall. For the best effect, install the fireplace out of direct sunlight.



OPERATION

REMOTE CONTROL

This fireplace is supplied with a radio frequency remote control. This remote will function up to 20 feet away from the fireplace.

The heater may emit a slight, harmless odour when first used. This odour is a normal condition caused by initial heating of internal heater parts. Thereafter, any odour is normally the result of household dust settling on the heater element.

1. Turn the main power **on** at the control panel.
2. Using the hand held remote, turn the power **on** at the remote. If the unit does not turn on, you will need to synchronize the codes.

To synchronize the codes:

Press and hold the **on** button on the hand held remote. Press the **learn** button on the control panel. See **CONTROL PANEL** on page 9. Simultaneously hold both buttons in for approximately 5 seconds.

To change the code on the transmitter:

- a) Press the button under the battery compartment lid on the transmitter.
- b) Remove the battery from the transmitter and turn "**off**" the main power on the control panel.
- c) Wait 5 seconds and reinstall the battery and turn "**on**" the power.
- d) While pressing the "**on**" button on the hand held remote, press the "**learn**" button on the control panel. See **CONTROL PANEL** on page 9.
- e) Hold both in for approximately 5 seconds

Note: *The receiver will automatically advance to an alternate code when introducing a transmitter to the unit.*

3. To turn the unit off, use either the remote or main power button on the control panel or the manual on/off button on the control panel.

4. The thermostat, located on the lower control panel, is used to control the temperature of the room. To increase the temperature, turn the dial clockwise.

FLAME EFFECT

The flame generator has a random modulating control which causes the flame effect to speed up and slow down sporadically. This action creates the realistic flame appearance and can not be modified.

MAINTENANCE

Bulb Replacement : If you notice the flame look is darker on one side of the fireplace, check the light bulbs to ensure that one has not burned out.

Bulb must be replaced with a MAX 60 watt incandescent clear light bulb.

1. To replace the bulb, turn the circuit breaker off or unplug the appliance.
2. Open the lower louvres.
3. Detach the light access panel by removing the four screws.
4. Replace the burned out light bulb using a new 60 watt clear incandescent bulb.
5. Replace access panel.
6. Turn on the power or plug the appliance back in.
7. Turn on the main power and test.

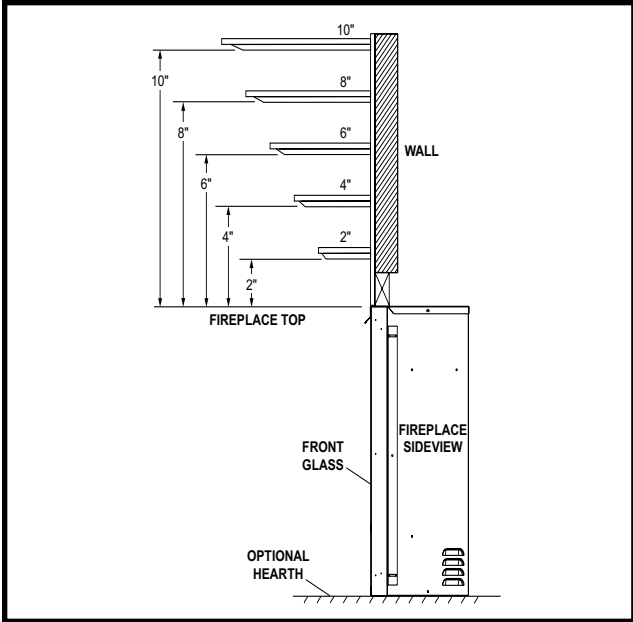
FINISHING

MANTEL

The minimum distance from the top of the unit that the mantel can be installed is 0", at any depth.



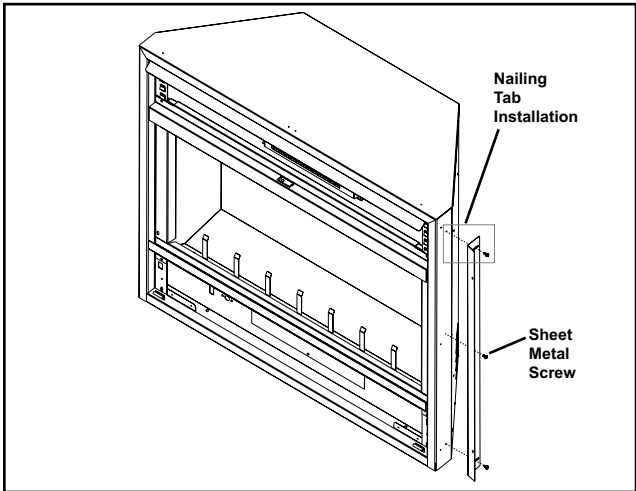
When using paint or lacquer to finish the mantel, such paint or lacquer must be heat resistant to prevent discoloration.



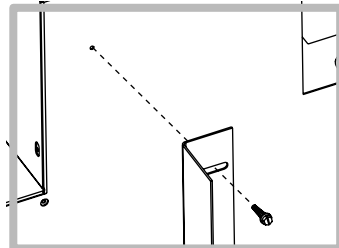
CLEARANCE TO COMBUSTIBLES

Sides.....	0 inches
Back.....	0 inches
Floor.....	0 inches
Top.....	0 inches

FRAMING AND FINISHING



1. Choose fireplace location.
2. Place fireplace in position.
3. Frame in fireplace with header across the top. It is important to allow for the finished facing materials when setting the depth of the frame.



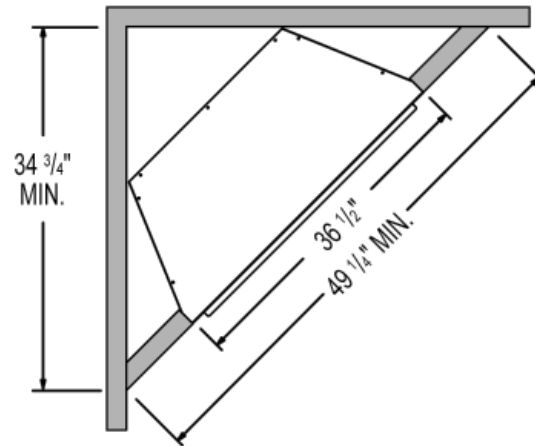
4. Remove the two screws from the sides of the fireplace and attach the nailing tabs with the screws.
5. To determine the final location of the nailing tab, you must first determine the thickness of your finishing material (i.e. sheetrock/drywall)

This will determine the dimension from the control panel front edge to the nailing tab. Secure with a sheet metal screw supplied.

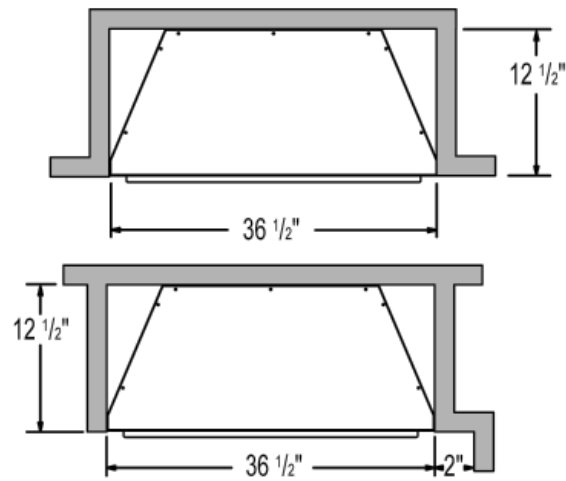
6. Attach the nailing tabs to the frame.

EF36

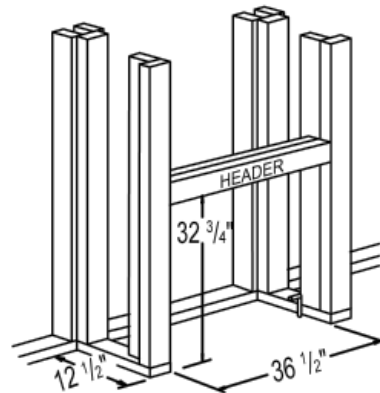
Corner Installation



Top View



Front View



Note: In order to avoid the possibility of exposed insulation or vapour barrier coming in contact with the fireplace body, it is recommended that the walls of the fireplace enclosure be "finished" (ie: drywall/sheetrock), as you would finish any other outside wall of a home. This will ensure that clearance to combustibles is maintained within the cavity.

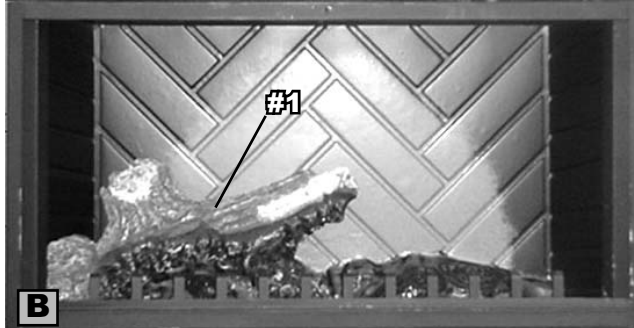
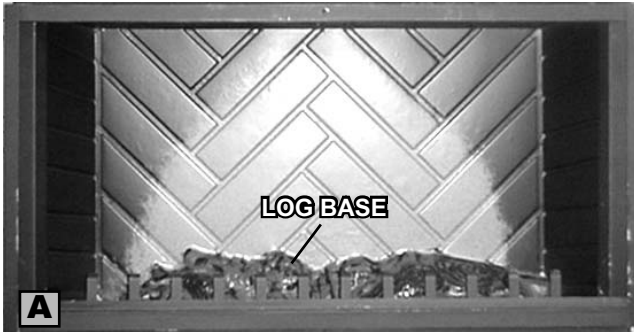
HEARTH

A hearth is NOT necessary but is recommended for aesthetic purposes.

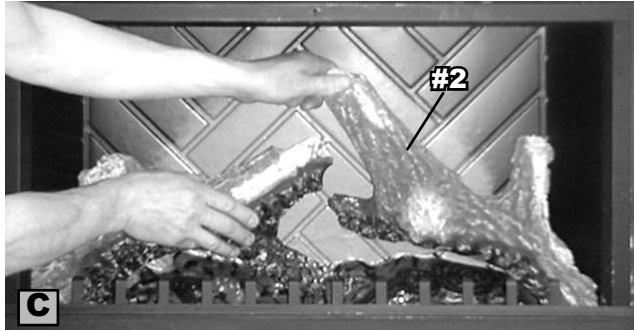
COLD CLIMATE INSTALLATION

WARNING: It is MANDATORY to have an insulated wall behind the fireplace, when the fireplace is being installed on an outside wall or chase.

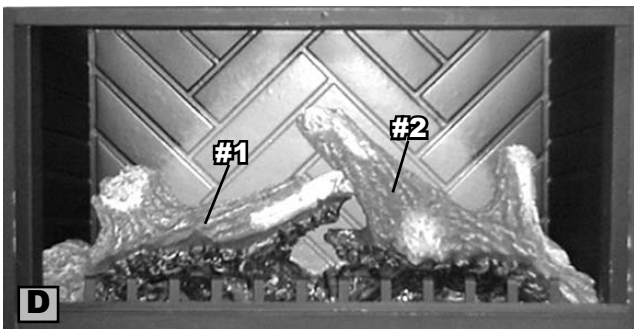
LOG INSTALLATION



1. Position log #1 as shown, so that the bottom end is pressed against the left inner side of the chamber. The log base is moulded to cradle the underside of log #1, allowing it to rest diagonally, as shown.



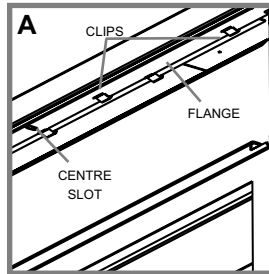
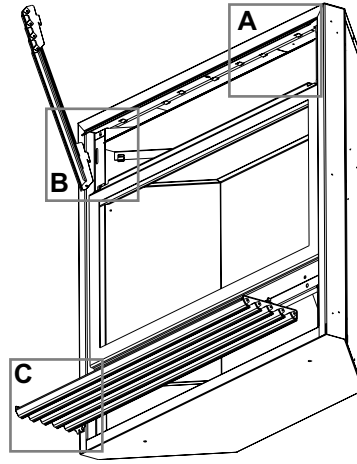
2. For correct positioning of log #2, the top end of log #1 must be lifted up off the base, as shown.



3. The bottom end of log #2 is pressed against the inner right side of the chamber. The underside branch of log #2 fits under the top end of log #1.

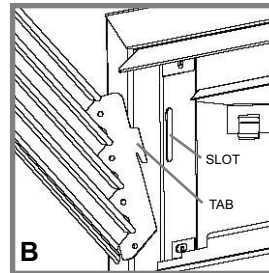
Once logs are in final position, close the screen.

L334 LOUVRE INSTALLATION



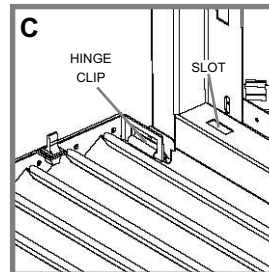
HOOD

Attach the hood by pressing the top flange into the clips along the top of the louvre opening. If preferred, secure using a screw through the centre slot.



UPPER LOUVRES

Insert the louvre tabs into the slots located at the top left and right corners of the unit.

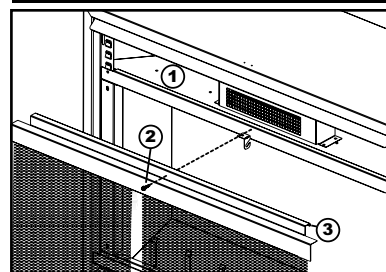


LOWER LOUVRES

Insert the hinge clips into the slots located at the bottom left and right corners of the unit.

To remove the louvres, pull the back tabs of the clips forward, while pushing the louvre assembly back. Lift the clip.

SCREEN COVER REMOVAL



1. Remove the upper louvre (*shown with louvre removed*).
2. Remove the screw securing the screen cover.
3. Un-hook the screen cover from the unit.

ELECTRICAL CONNECTION

This fireplace requires a 15 amp, 120 volt and 60 hz circuit. The fireplace should be on its own circuit. If there are other appliances on the same circuit, this may cause the circuit breaker or fuse to blow when the fireplace heater is in operation.

The unit comes with a 6' electrical cord, exiting the bottom right side. Plan your installation to avoid the use of an extension cord. If you require an extension cord, it must be at least 16 awg wire and be rated for 2025 watts.

Electrical outlet wires must comply with local building codes to reduce the risk of fire, electrical shock and injury.

Do NOT use the fireplace if any part has been under water.

Call a qualified service technician IMMEDIATELY to have the fireplace inspected for damage to the electrical

ELECTRICAL DIAGRAM LEGEND

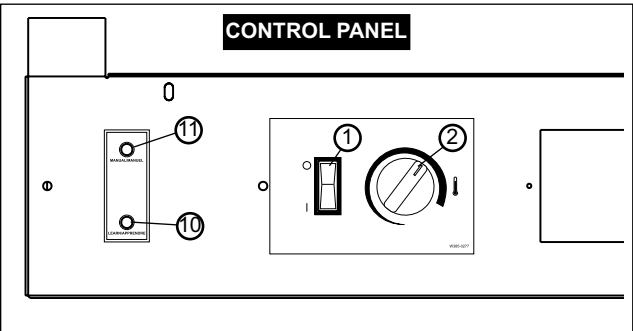
1. Power (Rocker Switch)
2. Thermostat Switch
3. Fan / Heater Assembly
4. Main Circuit Board
5. DC Motor (flame effect)
6. Main Power Cord
7. Strain Relief
8. Flame Effect Light (two light sockets-60 watts max)
9. Nylon Cable Tie
10. Learn Button
11. Manual on/off Button

HARD WIRING CONNECTION

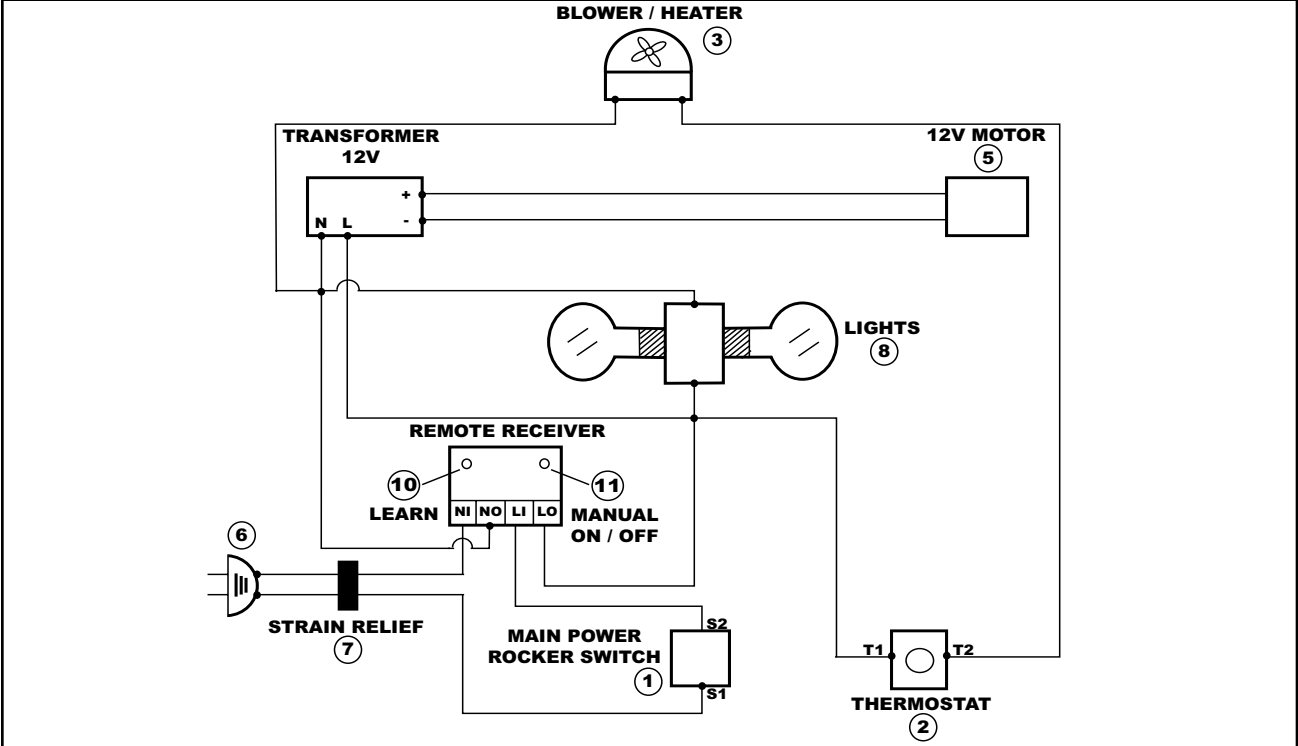
If it is necessary to hard wire this fireplace, a qualified electrician may remove the cord connection, and wire this unit directly to the house hold wiring.

Permanently framing the fireplace with an enclosure, requires the fireplace to be hardwired.

This fireplace must be electrically connected and grounded in accordance with local codes. In the absence of local codes, use the current CSA C22.1 CANADIAN ELECTRICAL CODE in Canada or the ANSI/NFPA 70-1996 NATIONAL ELECTRICAL CODE in the United States.



Electric Diagram



REPLACEMENTS

Contact your dealer for questions concerning prices and availability of replacement parts. Normally all parts can be ordered through your Napoleon dealer or distributor.

When ordering replacement parts always give the following information:

FOR WARRANTY REPLACEMENT PARTS, A PHOTOCOPY OF THE ORIGINAL INVOICE WILL BE REQUIRED TO HONOUR THE CLAIM.

1. MODEL & SERIAL NUMBER OF FIREPLACE
2. INSTALLATION DATE OF FIREPLACE
3. PART NUMBER
4. DESCRIPTION OF PART
5. FINISH

*** IDENTIFIES ITEMS WHICH ARE NOT ILLUSTRATED. FOR FURTHER INFORMATION, CONTACT YOUR NAPOLEON DEALER.**

REPLACEMENT PARTS

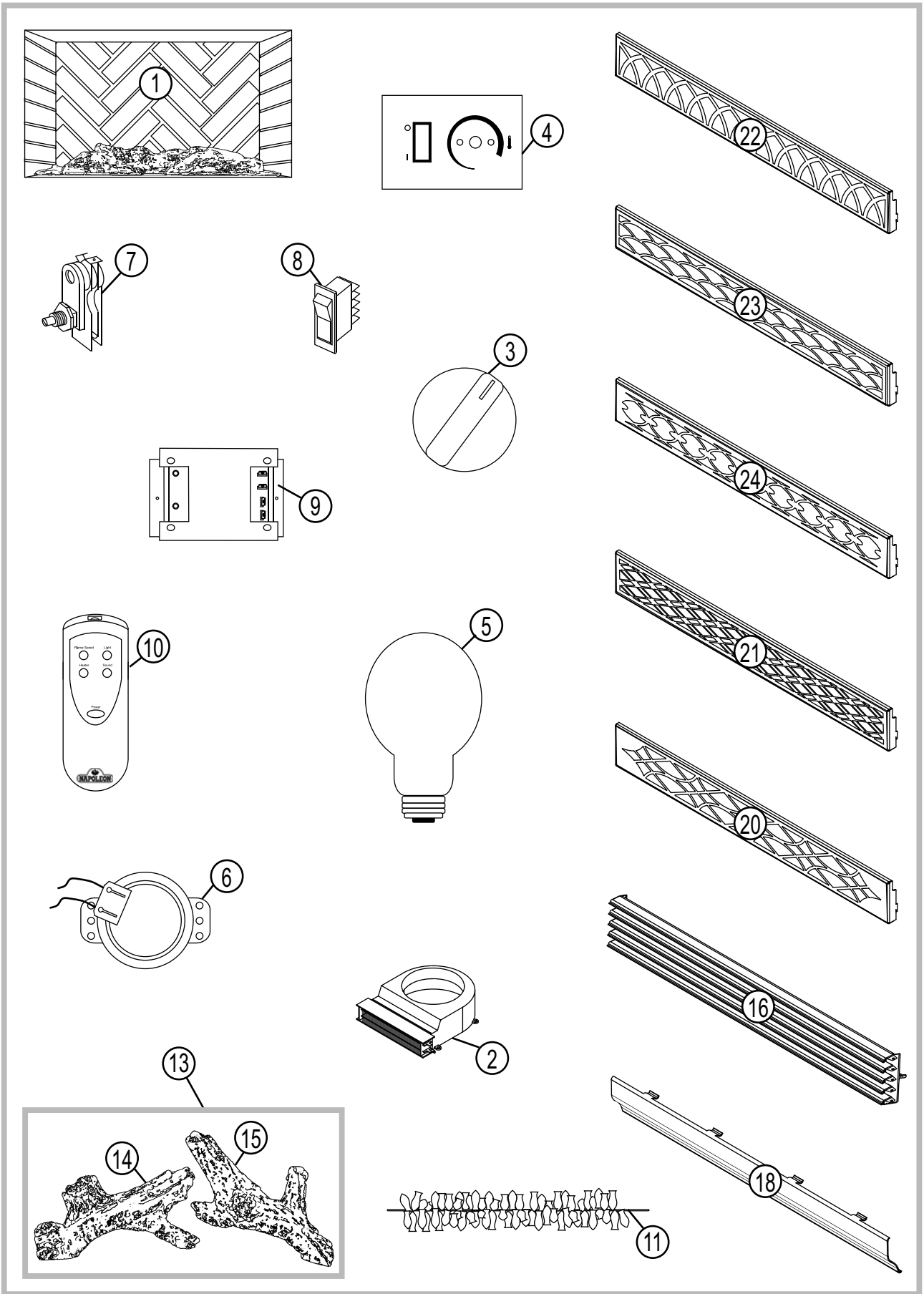
#	PART NO.	DESCRIPTION
1	W497-0001	PLASTIC DIFFUSER
2	W062-0016	FAN / HEATER ASSEMBLY
3	W380-0013	THERMOSTAT KNOB
4	W385-0277	CONTROL PANEL LABEL
5	W387-0001	60 WATT LIGHT BULB
6	W435-0004	FLAME EFFECT MOTOR
7	W660-0022	THERMOSTAT SWITCH
8	W660-0023	MAIN POWER SWITCH
9	W660-0037	REMOTE RECEIVER
10	W660-0038	REMOTE TRANSMITTER
11	W010-1090	FLAME EFFECT ASSEMBLY
12*	W045-0001	NYLON BEARING
13	GL-637	LOG SET
14	W135-0173	LOG #1
15	W135-0174	LOG #2
16	W010-1010	EF36 UPPER LOUVRE
17	W010-1011	EF36 LOWER LOUVRE

Use only accessories designed for and listed with the

EF36 ACCESSORIES

EF36H models.

20	HOIBG-2	HERITAGE ORNAMENTAL INSETS - BRUSHED GOLD PLATED
21	DOIK-1	DIAMOND ORNAMENTAL INSETS - BLACK
21	DOIG-1	DIAMOND ORNAMENTAL INSETS - GOLD PLATED
21	DOIKG-1	DIAMOND ORNAMENTAL INSETS- BLACK GOLD PLATED
21	DOIBC-1	DIAMOND ORNAMENTAL INSETS- BRUSHED COPPER PLATED
21	DOIBG-1	DIAMOND ORNAMENTAL INSETS- BRUSHED GOLD PLATED
22	GOIK-1	GOTHIC ORNAMENTAL INSETS - BLACK
22	GOIG-1	GOTHIC ORNAMENTAL INSETS - GOLD PLATED
22	GOIKG-1	GOTHIC ORNAMENTAL INSETS - BLACK GOLD PLATED
22	GOIBC-1	GOTHIC ORNAMENTAL INSETS - BRUSHED COPPER PLATED
22	GOIBG-1	GOTHIC ORNAMENTAL INSETS - BRUSHED GOLD PLATED
23	SOIK-1	SEASHELL ORNAMENTAL INSETS - BLACK
23	SOIG-1	SEASHELL ORNAMENTAL INSETS - GOLD PLATED
23	SOIKG-1	SEASHELL ORNAMENTAL INSETS - BLACK GOLD PLATED
23	SOIBC-1	SEASHELL ORNAMENTAL INSETS -BRUSHED COPPER PLATED
23	SOIBG-1	SEASHELL ORNAMENTAL INSETS - BRUSHED GOLD PLATED
24	EOIK-1	ECLIPSE ORNAMENTAL INSETS - BLACK
24	EOIG-1	ECLIPSE ORNAMENTAL INSETS - GOLD PLATED
24	EOIKG-1	ECLIPSE ORNAMENTAL INSETS - BLACK GOLD PLATED
24	EOIBC-1	ECLIPSE ORNAMENTAL INSETS - BRUSHED COPPER PLATED
24	EOIBG-1	ECLIPSE ORNAMENTAL INSETS - BRUSHED GOLD PLATED
25*	DK36-R	DOOR KIT, RECTANGULAR - BLACK
25*	DK36-RG	DOOR KIT, RECTANGULAR - GOLD PLATED
26*	DK36-A	DOOR KIT, ARCHED - BLACK
26*	DK36-AG	DOOR KIT, ARCHED - GOLD PLATED
27*	DK36-W	DOOR KIT, WEBBED - BLACK
27*	DK36-WG	DOOR KIT, WEBBED - GOLD PLATED



TROUBLE SHOOTING GUIDE

SYMPTOM	PROBLEM	TEST SOLUTION
No Flame Light but everything else is working properly.	<ul style="list-style-type: none"> - Light bulbs have burned out. 	<ul style="list-style-type: none"> - Remove access panel and change light bulbs.
Flame light, but no movement in the flame	<ul style="list-style-type: none"> - Flame generator motor has burned out. - Flame generator has come loose. 	<ul style="list-style-type: none"> - Consult your local dealer. - Remove the access panel and check to make sure the flame generator is in the flame generator bracket, and is secured to the motor with the rubber tube.
Remote control not working	<ul style="list-style-type: none"> - Dead batteries. - No power to the unit. - Power turned off. - Remote needs to be synchronized with receiver. 	<ul style="list-style-type: none"> - Make sure batteries are charged. - Make sure main power is on. - Turn on manual power switch. - Push the learn button on the control panel at the same time you push the on button on the remote.
Heater works but there is no air flow.	<ul style="list-style-type: none"> - Fan on heater is not working. 	<ul style="list-style-type: none"> - Consult your local dealer.
Fan works but there is no heat.	<ul style="list-style-type: none"> - Heater is not working. 	<ul style="list-style-type: none"> - Consult your local dealer.
Fireplace will not turn on.	<ul style="list-style-type: none"> - Breaker or fuse has blown. - Fireplace cord is unplugged. 	<ul style="list-style-type: none"> - Check main power switch is turned on. - Consult your local dealer. - Check fuse or breaker in house hold electric panel. - Plug cord back into receptacle.
Heater does not turn off.	<ul style="list-style-type: none"> - Thermostat is set to high. - Thermostat may be faulty. 	<ul style="list-style-type: none"> - Turn thermostat counter-clockwise. - Consult your local dealer.
Excessive noise coming from the top of the unit.	<ul style="list-style-type: none"> - Dirt build up on fan bearing. - Defective blower. 	<ul style="list-style-type: none"> - Consult your local dealer. - Vacuum the top control compartment.
Odour	<ul style="list-style-type: none"> - Dust has settled on the heater element. 	<ul style="list-style-type: none"> - Run heater until odour ceases (approx. 1/2 hr) - Consult your local dealer.
Heater cycling on and off	<ul style="list-style-type: none"> - Air intlets blocked. 	<ul style="list-style-type: none"> - Check to make sure there is nothing blocking the air inlets on the bottom of the unit. - Should not be on high pile carpet that can block air inlets.
The fireplace turns off when moved or bumped.	<ul style="list-style-type: none"> - Fuse may be loose 	<ul style="list-style-type: none"> - Consult your local dealer (Remove the 5 screws from the control panel and check the fuse is not blown or loose.)